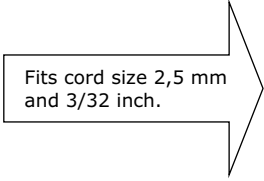
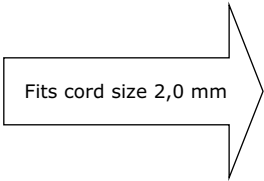


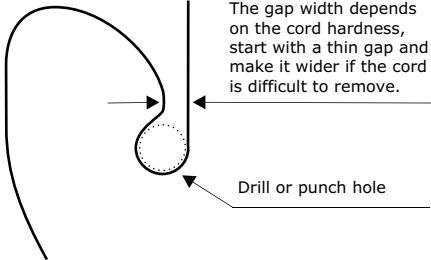
Lens cap holder

Cutting templates

See instructions on:
www.benvelo.com/skottirotta.htm

Webbing/strap width	9 mm	10 mm	12 mm
 <p>Fits cord size 2,5 mm and 3/32 inch.</p> <p>Ø 2 mm</p>			
 <p>Fits cord size 2,0 mm</p>			

Cut out the "cordholder" hole like this.
 (note the "drop shape" of the hole)



The gap width depends on the cord hardness, start with a thin gap and make it wider if the cord is difficult to remove.

Elastic cord	2,0 mm	2,5 mm
Drill/ punch hole	1,5 mm	2,0 mm

Alternative designs
 (these templates fits
 a 12 mm strap and
 a 2,5 mm cord)

